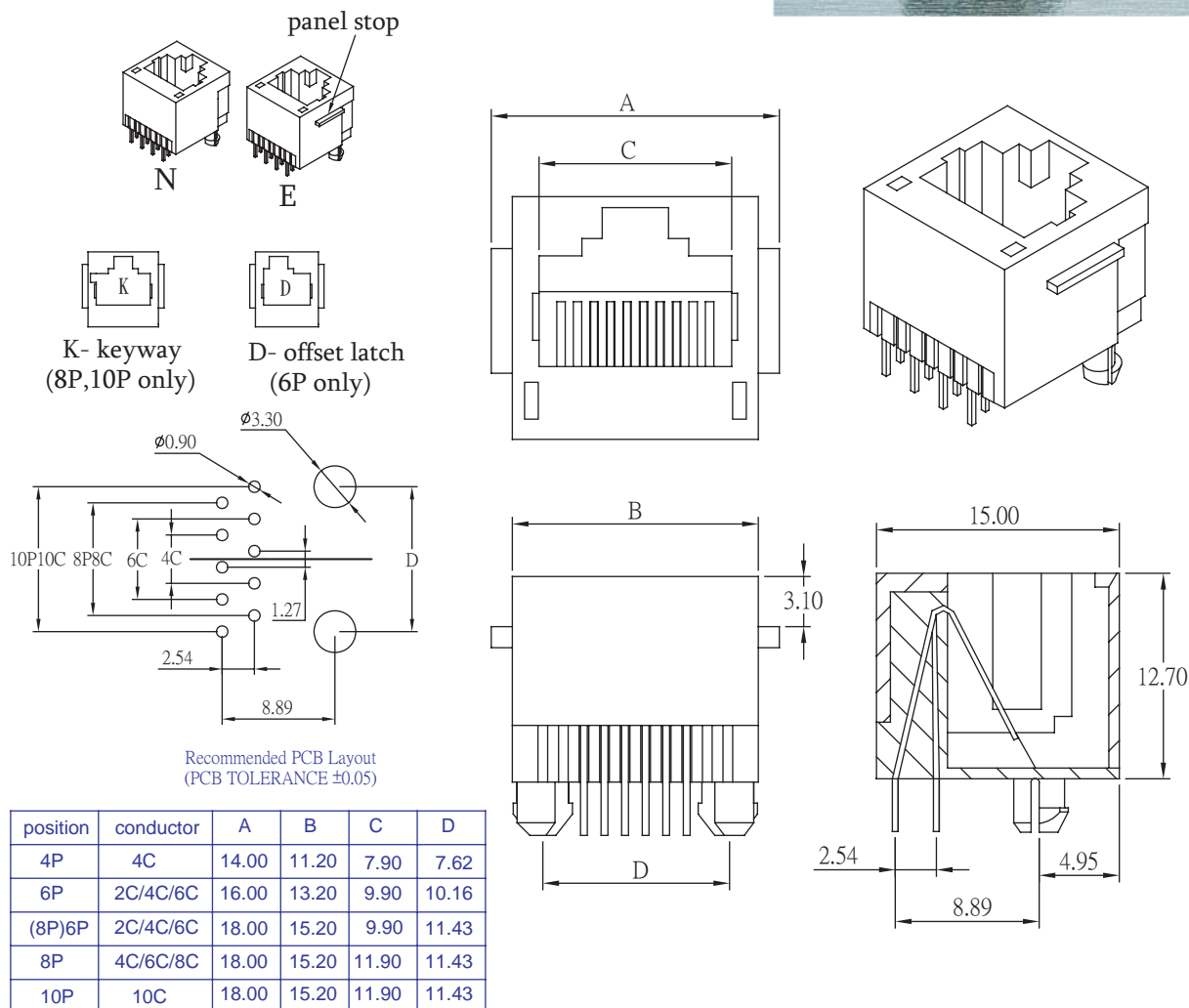


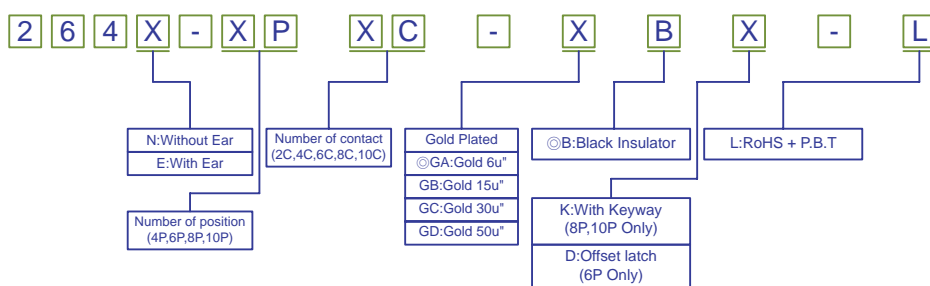
## MODULAR JACK TOP ENTRY H=12.7 W=15.0

### MATERIAL & FINISH

HOUSING: Glass Fiber, PBT. UL94V-0, BLACK  
 CONTACT: 0.35x0.43 mm thickness phosphor bronze,  
 Gold plated over Nickel on contact area,  
 Tin plated over Nickel on solder area.



## ORDER INFORMATION



©: Standard Recommend